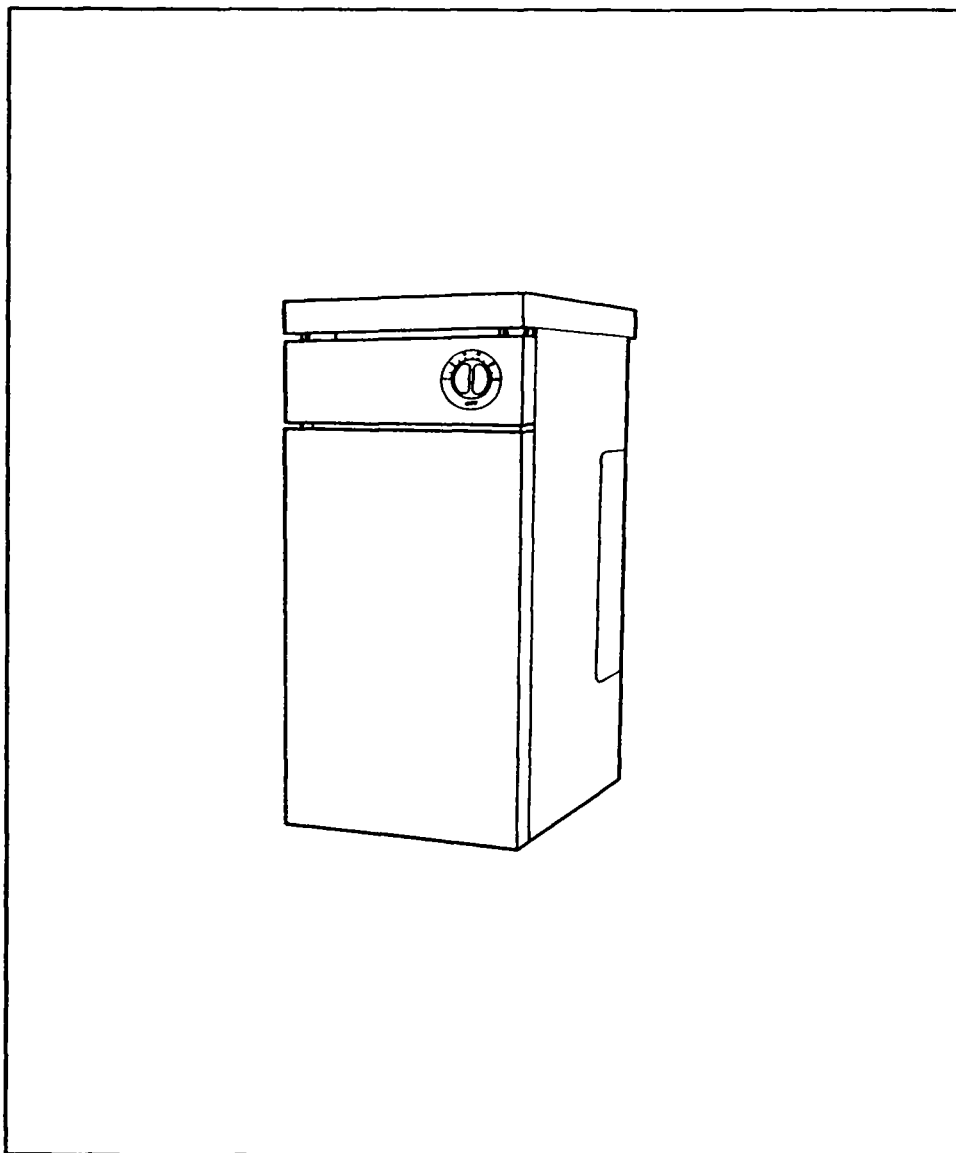


Baxi Boston 2 OF

Floor Standing Room Sealed Gas Fired Central Heating Boilers

Comp N° 235306 - Iss 4 - 7/00

User's Operating Instructions



BAXI

Natural Gas

Baxi Boston 2 80 OF
G.C. No. 41 077 84

Baxi Boston 2 70 OF
G.C. No. 41 077 83

Baxi Boston 2 60 OF
G.C. No. 41 077 82

Baxi Boston 2 50 OF
G.C. No. 41 077 81

Baxi Boston 2 40 OF
G.C. No. 41 077 80

Your Baxi Boston 2 is a gas fired, open flued central heating boiler providing heating for your home and domestic hot water where required.

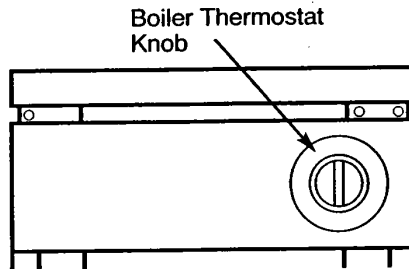
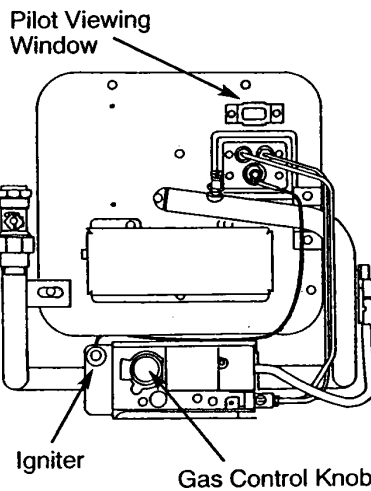
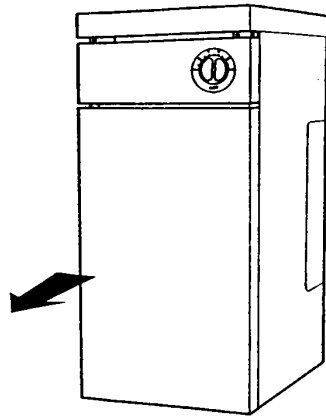
Baxi UK Limited is one of the leading manufacturers of domestic heating products in the UK.

Our first priority is to give a high quality service to our customers. Quality is built into every Baxi product - products which fulfil the demands and needs of customers, offering choice, efficiency and reliability.

To keep ahead of changing trends, we have made a commitment to develop new ideas using the latest technology – with the aim of continuing to make the products that customers want to buy.

Baxi is also the largest manufacturing partnership in the country. Everyone who works at the company has a commitment to quality because, as shareholders, we know that satisfied customers mean continued success.

We hope you get a satisfactory service from Baxi. If not, please let us know.



- 1 Remove door panel as shown.
- 2 Turn the boiler thermostat knob to the 'OFF' position fully anti-clockwise.
- 3 Turn on the main gas and electricity supplies to the appliance.
- 4 **To light the pilot:** Looking through the pilot viewing window press the gas control knob fully inwards and hold. Press in igniter button and release. Repeat until pilot ignites. Continue to hold in gas control knob for approximately 15 seconds and then release. Pilot should stay alight.

NOTE: If pilot fails to remain alight or is extinguished at any time, wait at least 3 minutes then repeat the procedure from the start of section "4". Once the pilot is alight it may be left on permanently.

- 5 **To light the boiler:** Ensure that all external controls, e.g. room thermostat, timer, etc. are calling for heat. Turn boiler thermostat fully clockwise to high setting. Main burner will then light.

The optimum boiler setting depends upon type of system, external controls and your requirements. Your installer will be able to advise you on this matter.

NOTE: If the pilot light is persistently extinguished the flue system may be unsound. Your installer or local gas region should be contacted as soon as possible in such circumstances.

"Benchmark" Installation, Commissioning and Service Record Log Book

Please ensure that your Installer has completed the installation and Commissioning sections of the Log Book, and hands the Log Book over. The details of the Log Book will be required in the event of any warranty work. Keep the Log Book in a safe place and ensure that the relevant sections are completed at each subsequent regular service visit.

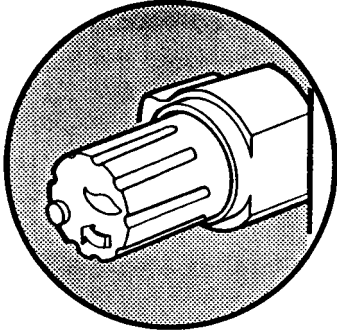
All CORGI registered installers carry a CORGI identification card and have a registration number. Both should be recorded in your boiler Log Book. You can check your installer is registered by telephoning 01256 372300 or writing to:-
1 Elmwood,
Chineham Business Park,
Crockford Lane,
Basingstoke. RG24 8WG



Baxi is a BS-EN ISO 9001 Accredited Company

TO SHUT DOWN THE BOILER

- 1 Turn off the electricity supply to the appliance at the mains.
- 2 **To turn off the pilot:** Turn gas control knob to off position marked 0.



NOTE: The gas control knob cannot be depressed until ignition restart interlock device in gas valve has disengaged. This takes 60 seconds approximately.

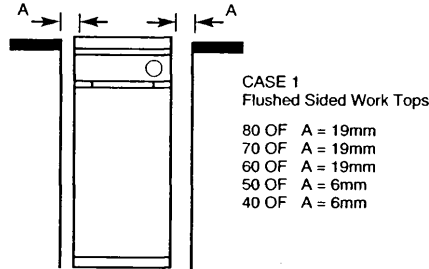
- 3 Turn off the gas supply at either the appliance gas cock or the meter.

If your home is to be left unoccupied for long periods during cold weather, the whole system should be drained, unless a frost-stat is fitted. Your installer will advise you about draining the system.

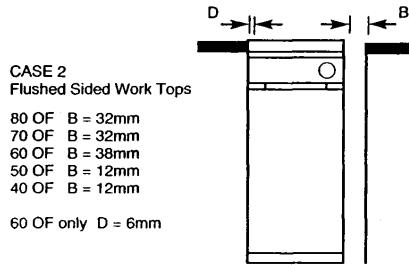
CLEARANCES AROUND THE BOILER

The minimum clear spaces needed around the boiler are:

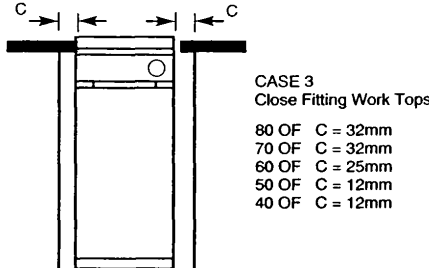
- Top: 100mm (4 in)
 Sides: See Below
 Front:
 (In Use) 5mm (³/₁₆ in)
 (For Servicing) 400mm (15 ³/₄ in)



CASE 1
 Flushed Sided Work Tops
 80 OF A = 19mm
 70 OF A = 19mm
 60 OF A = 19mm
 50 OF A = 6mm
 40 OF A = 6mm



CASE 2
 Flushed Sided Work Tops
 80 OF B = 32mm
 70 OF B = 32mm
 60 OF B = 38mm
 50 OF B = 12mm
 40 OF B = 12mm
 60 OF only D = 6mm

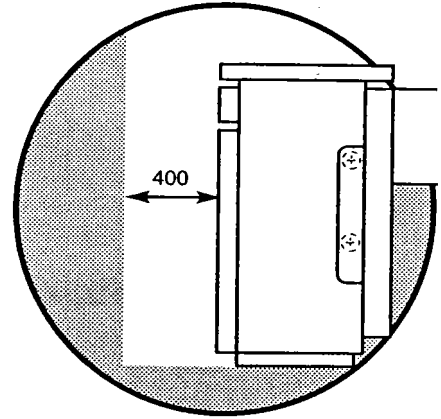


CASE 3
 Close Fitting Work Tops
 80 OF C = 32mm
 70 OF C = 32mm
 60 OF C = 25mm
 50 OF C = 12mm
 40 OF C = 12mm

If the boiler is fitted in a compartment, this should be fitted with ventilation openings at high and low level which must not be blocked. Occasional checks should be made to ensure they are clear. The compartment should be large enough to house the boiler and ancillary equipment only.

IT SHOULD NOT BE USED AS A STORAGE CUPBOARD.

400mm is required for servicing.
 5mm is required when operating.



These clearances must not be obstructed in any way. Blocking the clearance spaces will result in the appliance overheating and damage may possibly occur.

Warnings

IN CASE OF GAS LEAKS

If a gas leak is found or suspected, turn off the gas supply at the meter immediately and contact your Installer or British Gas Emergency (under 'Gas' in the phone directory).

NEVER HANG CLOTHES OR OTHER ITEMS OVER THE APPLIANCE.

SERVICING YOUR BOILER

We strongly recommend that your boiler is serviced annually for economic and safety reasons. Your Installer or British Gas Service will be able to advise you.

THIS APPLIANCE MUST BE EARTHED

Electricity supply:

A standard 230 volt ~ 50Hz supply is required. The appliance must be protected by a 3 amp fuse.

SAFE INSTALLATION

Installation of this appliance must be carried out by a CORGI Registered Installer or other competent person and be in accordance with the relevant requirements of the GAS SAFETY (Installation and Use) REGULATIONS and any other regulations applying in your area.

CLEANING THE CASE

The painted panels should be wiped with a damp cloth and then dried completely. **DO NOT USE ABRASIVE**

CLEANING AGENTS.

SPARE PARTS

Any repairs to the appliance will usually be the responsibility of the Installer during the guarantee period after which spare parts may be obtained through approved Baxi stockists if required. Quote the appliance name, model number and where possible the part number when ordering spares. (A parts list is included in the Installation and Servicing Instructions.)

GUARANTEE

Your BAXI BOSTON 2 is designed and produced to meet all the relevant British Standards.

Baxi UK Limited provide a 12 month guarantee on the Boiler - other parts of the system are covered by the Installer or other manufacturers. The guarantee operates from the date installation is completed for the customer who is the original user.

To maximise the benefit from our guarantee we urge you to return the reply-paid guarantee registration.

This does not in any way prejudice your rights at Common Law. Such rights between the customer and the installer or supplier from whom the unit was purchased remain intact.

Any component or part which becomes defective during the guarantee period as a result of faulty workmanship or material whilst in normal use will be repaired or replaced free of charge.

[Click here for Helplines](#)